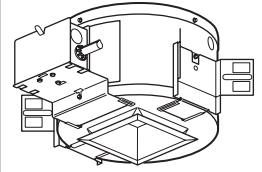


4.5" SQUARE LOW VOLTAGE DOWNLIGHT

LVSQ45



SUBMITTAL:

JOB:

TYPE:

VOLTAGE:

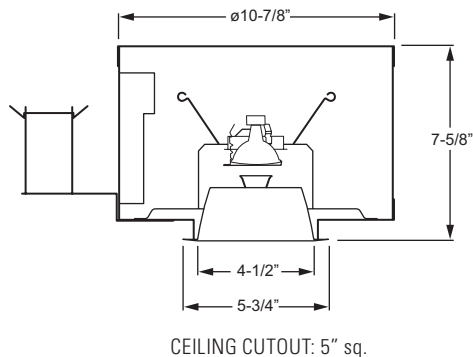
EXAMPLE: **LVSQ45 - 75 - MR16 - SG - OPTIONS - 120**

SERIES WATTAGE LAMP BASE REFLECTOR FINISH OPTIONS VOLTAGE

SERIES

FEATURES

- ▶ Self-flanged aluminum trim minimizes light leaks.
- ▶ Adjustable hanger brackets with bar hangers standard.
- ▶ Clear tempered glass lens provided for use with non-open-rated lamps.
- ▶ MR16 lamp clip supports lamp and up to two lenses/louvers.



LVSQ45 SERIES

HOUSING — 20-gauge C.R.S. wrapped cylinder construction.

HOUSING FINISH — Black TGIC polyester powder coat over multi-stage iron/phosphate prepared metal.

LAMP OPTIONS (Must specify)

WATTAGE	LAMP BASE
50 50-watt	MR16
75 75-watt	MR16

REFLECTOR FINISH

SG	Satin-glow
-----------	------------

OPTIONS

MWT	Matte white trim	CCEA	Chicago plenum (CP)
C73	C73 clear prismatic glass lens	CGS	Clear glass shield
LSL	Linear spread lens	SD	Sandblasted diffuser
UV	Ultraviolet filter	HCL	Honeycomb louver
L/_	Color lens—specify (R)ed, (B)lue, (G)reen, (A)mber, (RO)se, (Y)ellow, (LB)Light blue		

VOLTAGE (Must specify)

120	120V
277	277V

REFLECTIVE SURFACES

Clear satin, low-iridescent finish aluminum trim.

ELECTRICAL

Low voltage porcelain socket, 120-volt primary/12-volt secondary electronic transformer is standard. Thermally protected. Prewired at factory for easy field installation.



PHOTOMETRY DESCRIPTION

- 1/75W MR16 10 Deg. Beam 12 Volt 4" sq. Recessed Downlight

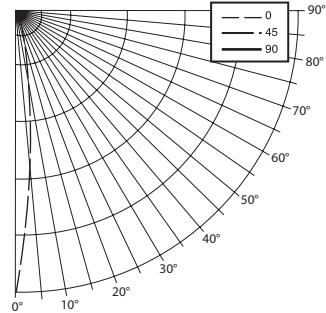
PHOTOMETRY INFORMATION

Wms Downlighting Catalog # LVSQ45-75-MR16-120
 Date 01/10/02
 Lamp Quantity: 1

Test Report # 11444
 Lamp Type: 75MR16/SP10-EYF
 Rated Lumens: 1200

CANDLEPOWER DISTRIBUTION

VERTICAL ANGLE	HORIZONTAL ANGLE	ZONAL LUMENS
0	0	
0	13515.	
5	7522.	718.0
15	1140.	323.0
25	220.	101.9
35	62.	38.9
45	3.	2.5
55	2.	1.7
65	0.	.0
75	0.	.0
85	0.	.0
90	0.	.0



LUMEN SUMMARY

ZONE	LUMENS	% LAMP	% FIXTURE
0 - 30	1143.	95.2	96.4
0 - 40	1182.	98.5	99.6
0 - 60	1186.	98.8	100.0
0 - 90	1186.	98.8	100.0
TOTAL LUMINAIRE:			
0 - 180	1186.	98.8	100.0
SPACING CRITERIA: DIAG=0.1 ACROSS=0.2			

ZONAL CAVITY COEFFICIENTS

EFFECTIVE FLOOR CAVITY REFL. = .20

CEILING	.80			.70			.50		
	WALL	RCR		.70	.50	.30	.50	.30	.10
0	1.18	1.18	1.18	1.15	1.15	1.15	1.10	1.10	1.10
1	1.15	1.13	1.11	1.12	1.11	1.09	1.07	1.06	1.05
2	1.11	1.08	1.06	1.09	1.07	1.05	1.04	1.02	1.00
3	1.09	1.05	1.02	1.07	1.04	1.01	1.01	.99	.97
4	1.06	1.02	.99	1.05	1.01	.98	.99	.97	.95
5	1.04	.99	.96	1.03	.98	.95	.97	.94	.92
6	1.02	.97	.94	1.01	.96	.93	.95	.93	.91
7	1.00	.95	.92	.99	.94	.91	.93	.91	.89
8	.98	.93	.90	.97	.93	.90	.92	.89	.87
9	.96	.91	.88	.95	.91	.88	.90	.87	.86
10	.94	.89	.86	.94	.89	.86	.88	.85	.84

LIGHT CONE QUICK CALCULATOR TABLES

Mounting Height (Ft)	FC at Edge of Cone	FC at Nadir	Cone Dia. (Feet)	
			Across	Diagonal
8	105.6	211.2	1.6	0.8
10	67.6	135.2	2.0	1.0
12	46.9	93.9	2.4	1.2
14	34.5	69.0	2.8	1.4
16	26.4	52.8	3.2	1.6
18	20.9	41.7	3.6	1.8
20	16.9	33.8	4.0	2.0

LUMINANCE DATA (cd/sq.m)

VERT ANGLE	HORIZONTAL ANGLE
45	165.
55	116.
65	0.
75	0.
85	0.

MAXIMUM BRIGHTNESS NOT MEASURED

QUANTITY ESTIMATOR

REFLECTANCE: Ceiling = 80% Walls = 50% Floor = 20%
 LIGHT LOSS FACTOR: 1.0

Room Size - 10' Ceiling	±50 ftc	±75 ftc	±100 ftc
Small - 400 Sq Ft	17	25	34
Medium - 900 Sq Ft	36	54	72
Large - 1600 Sq Ft	63	94	125

LABELS

cCSAus certified as luminaire suitable for dry or damp locations.

