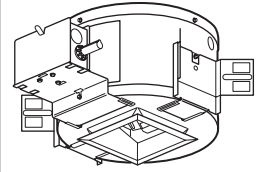


# 4.5" SQUARE LOW VOLTAGE DIRECTIONAL DOWNLIGHT

# LVDRSQ45



**SUBMITTAL:**

**JOB:**

**TYPE:**

**VOLTAGE:**

EXAMPLE:

**LVDRSQ45 - 75 - MR16 - SG - OPTIONS - 120**

SERIES

WATTAGE

LAMP  
BASE

REFLECTOR  
FINISH

OPTIONS

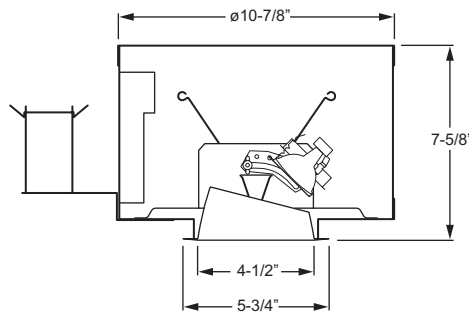
VOLTAGE

## SERIES

### FEATURES

- ▶ Adjustable 0-45° tilt locks into place to secure directional or accent lighting.
- ▶ Lamp and trim assembly (secured with thumb screws) can be rotated in 90° increments for on-site field adjustment.
- ▶ Trim designed to maximize lamp output at all directional angles.
- ▶ Self-flanged aluminum trim minimizes light leaks.
- ▶ Adjustable hanger brackets with bar hangers standard.
- ▶ Clear tempered glass lens provided for use with non-open-rated lamps.
- ▶ MR16 lamp clip supports lamp and up to two lenses/louvers.

This fixture is proudly made in the USA.



CEILING CUTOUT: 5" sq.



## LVDRSQ45 SERIES

**HOUSING** — 20-gauge C.R.S. wrapped cylinder construction.

**HOUSING FINISH** — Black TGIC polyester powder coat over multi-stage iron/phosphate prepared metal.

## LAMP OPTIONS (Must specify)

WATTAGE	LAMP BASE
50	50-watt MR16
75	75-watt MR16

## REFLECTOR FINISH

<b>SG</b>	Satin-glow
-----------	------------

## OPTIONS

<b>MWT</b>	Matte white trim	<b>CCEA</b>	Chicago plenum (CP)
<b>C73</b>	C73 clear prismatic glass lens	<b>CGS</b>	Clear glass shield
<b>LSL</b>	Linear spread lens	<b>SD</b>	Sandblasted diffuser
<b>UV</b>	Ultraviolet filter	<b>HCL</b>	Honeycomb louver
<b>L/_</b>	Color lens—specify (R)ed, (B)lue, (G)reen, (A)mber, (RO)se, (Y)ellow, (LB)Light blue		

## VOLTAGE (Must specify)

<b>120</b>	120V
<b>277</b>	277V

## REFLECTIVE SURFACES

Clear satin, low-iridescent finish aluminum trim.

## ELECTRICAL

Low voltage porcelain socket, 120-volt primary/12-volt secondary electronic transformer is standard. Thermally protected. Prewired at factory for easy field installation.



# LVDRSQ45

## 4.5" SQUARE LOW VOLTAGE DIRECTIONAL DOWNLIGHT

### PHOTOMETRY DESCRIPTION

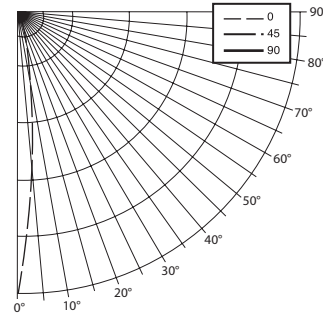
- 1/75W MR16 10 Deg. Beam 12 Volt 4" sq. Recessed Downlight

### PHOTOMETRY INFORMATION

Wms Downlighting Catalog # LVDRSQ45-75-MR16-120  
 Date 01/10/02  
 Lamp Quantity: 1

Test Report # 11444  
 Lamp Type: 75MR16/SP10-EYF  
 Rated Lumens: 1200

VERTICAL ANGLE	HORIZONTAL ANGLE	ZONAL LUMENS
0	0	13515.
5	7522.	718.0
15	1140.	323.0
25	220.	101.9
35	62.	38.9
45	3.	2.5
55	2.	1.7
65	0.	.0
75	0.	.0
85	0.	.0
90	0.	.0



### LUMEN SUMMARY

ZONE	LUMENS	% LAMP	% FIXTURE
0 - 30	1143.	95.2	96.4
0 - 40	1182.	98.5	99.6
0 - 60	1186.	98.8	100.0
0 - 90	1186.	98.8	100.0
TOTAL LUMINAIRE:			
0 - 180	1186.	98.8	100.0
SPACING CRITERIA: DIAG=0.1 ACROSS=0.2			

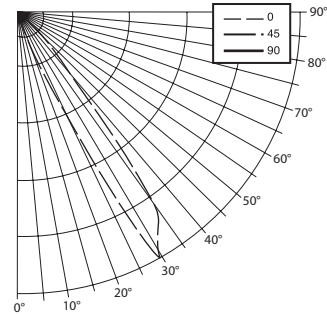
### ZONAL CAVITY COEFFICIENTS

EFFECTIVE FLOOR CAVITY REFL. = .20

CEILING	.80			.70			.50		
	.70	.50	.30	.70	.50	.30	.50	.30	.10
0	1.18	1.18	1.18	1.15	1.15	1.15	1.10	1.10	1.10
1	1.15	1.13	1.11	1.12	1.11	1.09	1.07	1.06	1.05
2	1.11	1.08	1.06	1.09	1.07	1.05	1.04	1.02	1.00
3	1.09	1.05	1.02	1.07	1.04	1.01	1.01	.99	.97
4	1.06	1.02	.99	1.05	1.01	.98	.99	.97	.95
5	1.04	.99	.96	1.03	.98	.95	.97	.94	.92
6	1.02	.97	.94	1.01	.96	.93	.95	.93	.91
7	1.00	.95	.92	.99	.94	.91	.93	.91	.89
8	.98	.93	.90	.97	.93	.90	.92	.89	.87
9	.96	.91	.88	.95	.91	.88	.90	.87	.86
10	.94	.89	.86	.94	.89	.86	.88	.85	.84

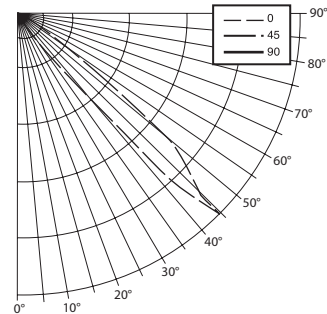
### CANDLEPOWER DISTRIBUTION AT 30° (Test #11445)

VERTICAL ANGLE	HORIZONTAL ANGLE
0	0
0	207.
5	246.
15	789.
25	5665.
35	11756.
45	1360.
55	16.
65	17.
75	6.
85	0.
90	0.



### CANDLEPOWER DISTRIBUTION AT 45° (Test #11446)

VERTICAL ANGLE	HORIZONTAL ANGLE
0	0
0	183.
5	196.
15	220.
25	283.
35	2004.
45	13936.
55	3260.
65	16.
75	2.
85	0.
90	0.



### LABELS

cCSAus certified as luminaire suitable for dry or damp locations.

