

# VINTAGE PRISMATIC ACORN POST TOP

# OPN

**SUBMITTAL:**

**JOB:**

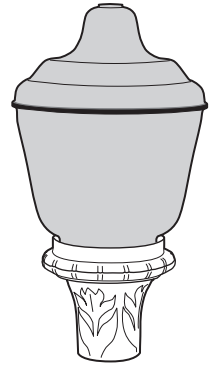
**TYPE:**

**VOLTAGE:**

EXAMPLE:

**OPN 23 - 150PSMH120 - ACR - T5 - 4TM - DBR - OPTIONS**

▼ SERIES DIFFUSER HEIGHT    
 ▼ ELECTRICAL PACKAGE    
 ▼ DIFFUSER    
 ▼ DISTRIBUTION    
 ▼ MOUNTING POINT    
 ▼ FINISH OPTIONS    
 ▼ OPTIONS

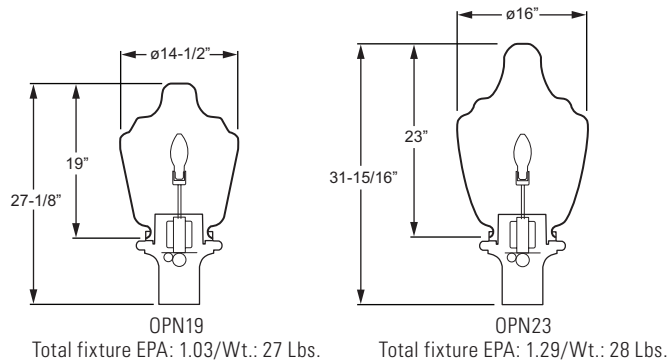


This fixture is proudly made in the USA.

## SERIES

### FEATURES

- ▶ Precise prisms provide excellent uniformity, light distribution, and efficiency.
- ▶ Choice of three U.V. stabilized diffuser types including clear acrylic, impact-resistant polycarbonate, or diffused acrylic.
- ▶ Optional aluminum reflectors redirect potentially wasted uplight into increased downward efficiencies.
- ▶ Available up to 150 watts (OPN23) or 100 watts (OPN19).
- ▶ Type III or Type V distribution.
- ▶ Optional brass finial available.



## OPN SERIES HOUSING —

Cast aluminum base with 2-piece injection-molded U.V. stabilized acrylic or impact-resistant polycarbonate diffuser sealed with stainless steel clamp band. Gasketed for weathertight performance.

## DIFFUSER HEIGHT (Must specify)

19	19" (Up to 100 watts max.)
23	23"

## ELECTRICAL PACKAGE (Must specify)

### PULSE START METAL HALIDE

Lamp:	ED-17/E17	ED-17/E17	ED-17/E17	ED-17/E17
Socket:	E26 Medium	E26 Medium	E26 Medium	E26 Medium
ANSI Ballast Code:	M110/M148	M98/M143	M90/M140	M102/M142

50PSMH120	70PSMH120	100PSMH120	150PSMH120 <sup>1</sup>
50PSMH208	70PSMH208	100PSMH208	150PSMH208 <sup>1</sup>
50PSMH240	70PSMH240	100PSMH240	150PSMH240 <sup>1</sup>
50PSMH277	70PSMH277	100PSMH277	150PSMH277 <sup>1</sup>
	70PSMH347	100PSMH347	150PSMH347 <sup>1</sup>
		100PSMH480	150PSMH480 <sup>1</sup>

### HIGH PRESSURE SODIUM

Lamp:	E17	E17	E17	E17
Socket:	E26 Medium	E26 Medium	E26 Medium	E26 Medium
ANSI Ballast Code:	S68	S62	S54	S55

50HPS120	70HPS120	100HPS120	150HPS120 <sup>1</sup>
50HPS208	70HPS208	100HPS208	150HPS208 <sup>1</sup>
50HPS240	70HPS240	100HPS240	150HPS240 <sup>1</sup>
50HPS277	70HPS277	100HPS277	150HPS277 <sup>1</sup>
	70HPS347	100HPS347	150HPS347 <sup>1</sup>
		100HPS480	150HPS480 <sup>1</sup>

<sup>1</sup> OPN23 only.

## ELECTRICAL PACKAGE

**PSMH** — Rated -20°F minimum starting temperature.  
**HPS** — Rated -40°F minimum starting temperature.

All PSMH and HPS electrical packages include porcelain socket and integral ballast. Prewired at factory to a disconnect plug for easy field installation. HX-HPF or CWA ballast type standard. Lamp is optional, please specify when ordering.



### DIFFUSER

Injection-molded U.V. stabilized acrylic or impact-resistant polycarbonate.

### DIFFUSER (Must specify)

<b>ACR</b>	Clear acrylic	<b>CPC</b>	Clear polycarbonate
<b>DIF</b>	Diffused acrylic		

### DISTRIBUTION

Type III or Type V distribution.

### DISTRIBUTION (Must specify)



**T3** Type III



**T5** Type V

### MOUNTING POINT

Post top mounting on 3" or 4" O.D. tenon or pole top. Secured with stainless steel set screws. See Williams' Poles or Pole Top Assemblies for details.

### MOUNTING POINT (Must specify)

<b>3TM</b>	3" tenon mount
<b>4TM</b>	4" tenon mount

### FINISH OPTIONS

Super durable polyester powder coat meets and exceeds AAMA 2604 specifications for outdoor durability.

### FINISH OPTIONS (Must specify)

<b>BLK</b>	Black (RAL #9004)
<b>DBR</b>	Dark bronze (Protech #PC21462)
<b>GRAY</b>	Standard gray (Protech #PC18367)
<b>GRN</b>	Green (RAL #6005)
<b>SLV</b>	Satin aluminum (RAL #9006)
<b>WHT</b>	White (RAL #9003)
<b>RAL#</b> ____	Specify custom color

### OPTIONS

<b>SF</b>	Single fuse (120V, 277V, or 347V only; must specify voltage)	<b>DF</b>	Double fuse (208V, 240V, or 480V only; must specify voltage)
<b>SR</b>	Solid reflector (Reduces uplight)	<b>PR</b>	Perforated reflector (Reduces uplight)
<b>NK</b>	Neck ring		



**FIN** Solid brass finial

### LABELS

cCSAus certified as luminaire suitable for wet location.